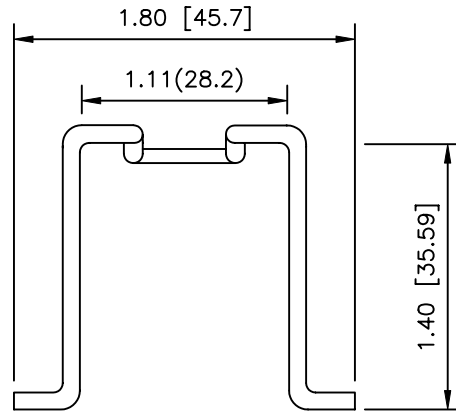
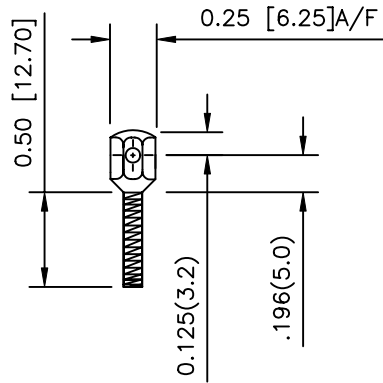


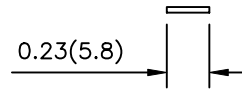
		Revision	
Rev.	Description	Date	Approved



CLIP  
.072" Dia. Stainless Steel Wire



SCREW  
6 BA Brass, Nickel Plated



WASHER  
26 S.W.G. Brass, Nickel Plated



HEX NUT  
6 BA, .193 A / F x .100" Thick  
Brass Nickel Plated

Dim range (mm)	Tolerance +/- (mm)	Qualtek Electronics Corp. PPC DIVISION		
		Part Number: 730-00/00		
0-1	0.15	Description: RETAINER CLIP KIT		
1-6	0.20			
6-18	0.30	Drawn/Date	Checked/Date	Approved/Date
18-50	0.50			
50-120	0.70	B.ZHANG 09-06-02	09-06-02	JJH/09-06-02
120-250	0.90			
250-500	1.20			